

# Transsett Favorit

*Transsett Favorit is an all-round speech amplifier for people with or without hearing-aid.*

## A flexible listening device

Transsett Favorit is a flexible assistive listening device, designed according to the same principle as most standard hearing-aids. It is suitable for people with or without hearing-aid. Hearing-aid users listen via a neck loop and those without hearing-aid can choose from different types of headsets.

Favorit is suitable in many situations, such as during conversation, when listening to TV, at conferences, in public premises with an inductive loop etc. Favorit is practical as a personal listening device for the hearing-impaired, but is also very useful to have handy, for example at hospitals and care institutions, as a temporary aid during the patient's stay or visit.

## Easy usage

The idea behind Favorit is that it should be easy to use. That is why it has large and robust controls. The procedure for changing the batteries is simple and the operating time is long.

## Built-in telecoil

Because of the built-in telecoil, Favorit is excellent to use in public premises with inductive loop.

## Switch between microphone/telecoil

With the switch M/T it is easy to change between using microphone or telecoil. Moreover, the switch can be locked in the Microphone position.

## Listening to TV

Favorit is very good to use as an extra amplifier of the TV sound. There is a microphone and a scart contact to choose from, and they are connected between the TV and Favorit. The user gets a system that is easy to carry around.

## A good conference aid

At smaller meetings and conferences Favorit is the excellent choice. Favorit is placed on the table and the omni-directional microphone picks up the sound. To transmit the sound to the hearing-aid, a neck loop is used.



*Transsett Favorit comes in three different colours*

## Speech amplifier in the car

The car is often a difficult environment for the hearing-impaired and then Favorit is particularly suitable. A lapel microphone is placed on the person that the hearing-impaired wants to talk to. Thus, a good speech amplification is attained, with the background noise less disturbing.

## Many kinds of accessories

In order to adjust Favorit to individual needs and user environments, different kinds of accessories are available to Favorit. Read more about the accessories on the next spread.

## Article Numbers

	<i>Without headphones</i>	<i>With headphones</i>
<i>Black</i>	200 20 52	200 20 36
<i>Blue</i>	200 20 70	200 20 62
<i>Claret</i>	200 20 82	200 20 91

- Svarvargatan 11
- Box 49093
- SE-100 28 Stockholm, Sweden
- Phone: +46 8 693 09 00
- Fax: +46 8 654 84 80
- [www.transistor.se](http://www.transistor.se)
- E-mail: [info@transistor.se](mailto:info@transistor.se)

## Accessories

---

To get the most out of Favorit it should be equipped with suitable accessories. Favorit has a built-in omnidirectional microphone. But to pick up the sound in the best way possible in different kinds of environments it is possible to connect different types of external microphones. For hearing-aid users it is best to combine Favorit with a neck loop and those who do *not* use a hearing-aid can choose between different styles of earphones.

---

### Directional microphone

This microphone is designed to achieve directional sound and reduce the background noise. It is inserted in the microphone socket of Favorit.

*Art.No: 200 60 12*



### Lapel microphone EM 140

The lapel microphone is practical to use when the hearing-impaired is chatting with one person. The person talking to the hearing-impaired should attach the microphone to his/her clothes with the enclosed clip.

*Art.No: 411 03 15*

### Microphone FXT/TV

This microphone is attached with velcro tape to the loudspeaker of the TV, radio or stereo. It is also possible to place it on a table.

*Art.No: 200 60 13*



### Scart contact Favorit/TV

In order to transmit the sound directly from the TV, this scart contact is connected to the TV. The hearing-impaired can adjust desired sound level with a volume control on Favorit. If there is another person listening to the TV through the loudspeaker, that volume can be adjusted independently.

*Art.No: 200 20 64*

---

### Neck loop G.A.P.

With a neck loop, the person using a hearing-aid can pick up the sound. A connection cord (length: 80 cm) is connected to the neck loop, and the other end of the cord is connected to the headset socket on Favorit.

*Neck loop, Art.No: 414 04 60*

*Connection cord, Art.No: 200 20 44*



### Headphones

Those who do not have a hearing-aid can use these headphones to Favorit. It is easy to adjust the size, but if an even smaller size is required, or for additional wearing comfort, it is possible to buy a pad for the head strap. The pad is attached on the inside of the head strap.

*Headphones, Art.No: 200 60 20*

*Head strap pad, Art.No: 200 20 72*

### In-the-ear headphones

As an alternative to the headphones, those who do not use a hearing-aid can connect these in-the-ear headphones to Favorit. Another design is also available, where the earphones are placed outside the ear and kept in place with an ear hook.

*In-the-ear headphones, Art.No: 200 60 09*

*Earphones with ear hook, Art.No: 200 60 19*



### Stetoclip

Stetoclip is practical for those who do not use a hearing-aid and do not want to use earphones with a headband. Both receiver and cord are included.

*Art.No: 200 20 42*

### Hearing-aid cord

This cord should be connected to an individual ear mould (for example SM-W, 220 Ohm).

*Art.No: 200 20 43*

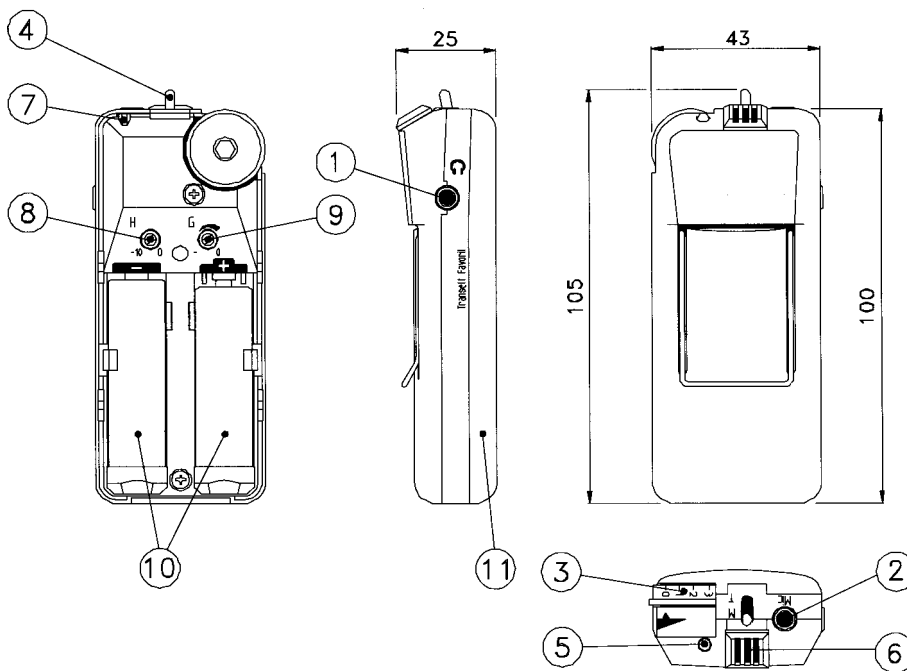


## Technical data

Max acoustic gain:	60 dB (can be reduced with 12 dB with gain control)
Max acoustic output:	125 dB SPL
Frequency range:	200 Hz – 10 kHz
Bass reduction:	-12 dB at 200 Hz
Telecoil sensitivity:	93 dB SPL, 1 kHz, 10 mA/m
Current consumption:	Without load 7 mA With 32 ohms earphones 10-15 mA
Battery life:	Approx. 200 hours
Type of batteries:	2 x 1,5 V penlight (LR6)
Weight:	94 g (including batteries)



Complies with EMC Directive 89/3361/EEC including amendment by the CE-marking Directive 93/68/EEC.



1. Socket for earphones
2. Socket for external microphone
3. Volume control
4. Microphone and telecoil switch
5. LED
6. Built-in microphone
7. Lock for microphone position
8. Bass reduction
9. Gain control
10. Battery compartment
11. Battery cover

- Svarvargatan 11
- Box 49093
- SE-100 28 Stockholm, Sweden
- Phone: +46 8 693 09 00
- Fax: +46 8 654 84 80
- [www.transistor.se](http://www.transistor.se)
- E-mail: [info@transistor.se](mailto:info@transistor.se)